

OPN Pin-Arbor Power Chuck®

"Strong Clamping" "High Precision" "Pull Back" "Equalize Function" "Dust Protection"



"PULL BACK" System

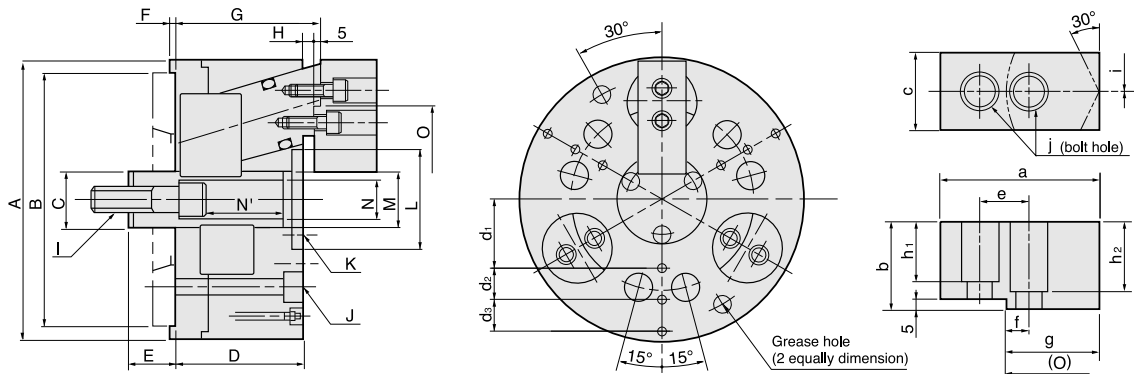
The OPN Pin-Arbor Power Chuck is O.D. clamping power chuck which is excellent at controlling parallelism and thickness with having "pull-back" clamping function. Furthermore, OPN chuck features soft jaws system having excellent repeatability and interchangeability which allows any user to form soft jaws by themselves following the jaws forming procedure and assemble them to every same inch size of OPN chucks with keeping high-concentricity.

● The jaws forming ring is provided with the OPN series as standard.

- High precision interchangeability of formed jaws.
- High durability pin design.
- Two points greasing on the chuck front.
- Compact chuck body periphery.
- Conventional slant angles are employed for pins.

※ We are available to design top tooling and parts on request basis.

Dimension diagram



PAT.P

Dimensions

Model No.	A	B H7	C	D	E (Min.~Max.)	F	※G	※H	I	J (P.C.D.)	K (P.C.D.)	L
OPN-5	130	80	22	70	16 (12~19)	5	82	7	M12	3-M 8 (100)	M4(35)	45.5
OPN-6	165	140	28	90	29 (23~33)	5	103	8	M16	6-M10 (104.77)	M5(43)	55.5
OPN-8	210	190	45	95	33 (28~38)	5	109	9	M20	6-M12 (133.35)	M6(55)	68.5
OPN-10	254	230	55	110	40 (32~47)	5	126	11	M24	6-M16 (171.45)	M6(70)	85.5
OPN-12	300	230	60	125	40 (32~47)	5	141	11	M27	6-M16 (171.45)	M6(75)	90.5

Model No.	M	N	N'	O	a	b	c	Pin		e	f	g	h1	h2	i	j
								d1	d3							
OPN-5	28	—	—	84	60.5	30	30	35	—	16	6	40	17	22	2	M 8
OPN-6	34	—	—	104	63	35	35	40	25	20	8	37.5	20	25	(c)	M10
OPN-8	45	32	58	134	82	47	40	50	25	25	12	49	32	37	(c)	M12
OPN-10	55	39	64	160	103	51	50	55	25	32	13	58	36	41	(c)	M14
OPN-12	60	43	64	200	125	57	60	70	25	37	18	80	42	47	(c)	M16

※ G,H values are diameter which clamed standard specification.

Standard specifications

Model No.	Max. Clamping force kN (kgf)	Max. Pull force kN (kgf)	Jaw stroke (Dia.) mm	Clamping range mm	Max. rotation min ⁻¹	Weight kg	Body GD ² N·m ² (kgf·m ²)
OPN-5	20.6 (2100)	11.8 (1200)	3.7	10~85	4000	7.2	0.59 (0.06)
OPN-6	31.4 (3200)	17.6 (1800)	5.3	35~100	3500	15	1.96 (0.20)
OPN-8	47.0 (4800)	26.5 (2700)	5.3	40~160	3000	26	5.59 (0.57)
OPN-10	61.7 (6300)	34.3 (3500)	8	50~200	2500	44	13.9 (1.42)
OPN-12	79.3 (8100)	44.1 (4500)	8	50~240	2000	69	30.4 (3.10)

* The above clamping force values were obtained by actual measurements the maximum draw-bar thrust.

* The dimensions in this table are subject to change without notice.

Practical examples

This figure shows an example for chucking a cross key with a conventional product.

