

# MICRO-OPA Precision Pin-Arbor Chuck

**NEW**

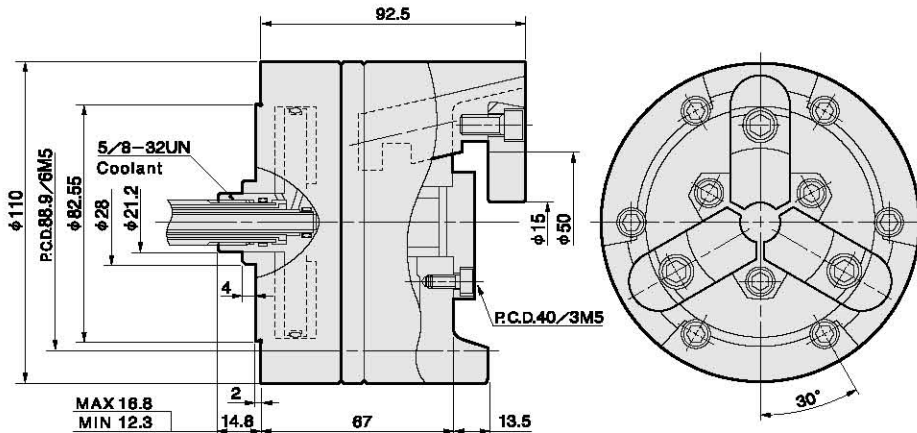


4inch

*Small size PIN-ARBOR Chucks  
with built-in air cylinder for precise turning processing!*

- With the built-in air cylinder, concentricity became less than 0.005mm T.I.R. of chucking repeatability.
- Securely draws the work-piece into the stopper and accurately clamps it without horizontal deviations.
- Extremely suitable for high-speed turn because of lightweight jaw and supported by chuck body.
- MICRO-OPA is designed based on user needs and delivered as the finished good. So the customer will be able to use MICRO-OPA reliably.

## Dimension diagram



## Standard specifications

Size	4 inch [φ110]
Max. rotation	6000min <sup>-1</sup>
Concentricity	within 0.005TIR
Cylinder area	44cm <sup>2</sup> [for clamp side] 46cm <sup>2</sup> [for unclamp side]
Clamping force	5.8kN
Jaw travel	1.5mm