

Collet Chuck

# AC Drawbar models type

Short series

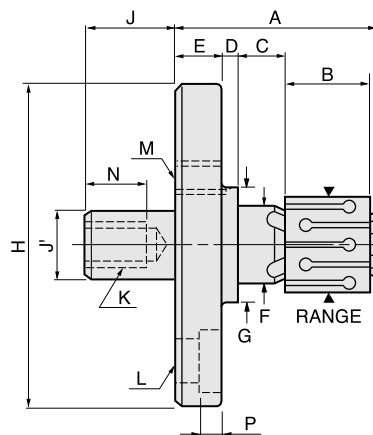


Short series [ 8000 type ]

The AC Drawbar models type - Short Series suits when the work-pieces have short clamping width, or when you need to make the over-hang length of NC lathe short. Also it is suitable to the heavy-load cutting operation of the work-pieces which need to be restricted but having concerns of torsional rigidity by standard series.

When using this model, basically it is necessary to prepare adapter plate, draw-bar connector, stopper (or restrictor stopper). We are available to prepare to design them and do technical evaluation if you provide us necessary information.

Dimension diagram



AC8100 · AC8200 · AC8300 are only for light cutting.

Dimensions

Model No.	Clamping range (Collet necessary Qty)	A	B	C	D	E	F	G	H
AC-8100	12.70 ~ 16.64 (15)	46.0	15.0	10.7	6.4	12.7	11.94~11.92	* 22.4	85.74 ~ 85.73
AC-8200	15.06 ~ 20.24 (20)	50.0	18.3	11.4	6.4	12.7	14.72~14.70	* 25.4	85.74 ~ 85.73
AC-8300	18.24 ~ 25.40 (28)	54.6	21.3	13.0	6.4	12.7	17.90~17.87	* 28.4	85.74 ~ 85.73
AC-8400	22.23 ~ 33.00 (20)	59.7	23.9	15.0	4.6	14.2	21.47~21.44	35.1	104.79 ~ 104.78
AC-8500	28.58 ~ 41.70 (24)	65.8	28.6	16.5	4.6	14.2	27.42~27.40	39.6	104.79 ~ 104.78
AC-8600	37.28 ~ 53.44 (30)	74.4	31.0	21.1	3.0	17.3	35.76~35.73	47.8	123.84 ~ 123.83
AC-8700	49.20 ~ 71.65 (42)	75.7	33.3	20.1	3.0	17.3	46.87~46.84	60.5	123.84 ~ 123.83

Model No.	J (Stroke)		J'	N	P	K	L (4 Equal dimension)	M (4 Equal dimension)
	Max	Min						
AC-8100	23.8	19.2	14.3	15.8	6.3	3/8-24	3/8用 63.5 P.C.D.	5/16-24 60.3 P.C.D.
AC-8200	23.8	19.2	14.3	15.8	6.3	3/8-24	3/8用 63.5 P.C.D.	5/16-24 60.3 P.C.D.
AC-8300	23.8	19.2	14.3	14.2	6.3	3/8-24	3/8用 63.5 P.C.D.	5/16-24 60.3 P.C.D.
AC-8400	36.5	31.1	19.1	19.0	7.9	1/2-20	1/2用 79.2 P.C.D.	3/8-24 73.0 P.C.D.
AC-8500	36.5	31.1	19.1	19.0	7.9	1/2-20	1/2用 79.2 P.C.D.	3/8-24 73.0 P.C.D.
AC-8600	46.0	40.6	24.6	25.4	9.5	3/4-16	1/2用 95.3 P.C.D.	3/8-24 92.1 P.C.D.
AC-8700	46.0	40.6	24.6	25.4	9.5	3/4-16	1/2用 95.3 P.C.D.	3/8-24 92.1 P.C.D.

\* Please inform us of your requesting Expander to be used. If there is no request, Standard Expander will be provided. For selection of Expander, please refer to the page 16.

Component parts

Arbor model	Connector	Retaining-rings	Lock-pins	Flange-shaft	Dust-seal	Standard-Expander	Restrictor-Expander
AC 8100	CAT. AC 8262	CAT. AC 8186	CAT. AC 8185	CAT. AC 8152	CAT. AC 8190	CAT. AC 8165	CAT. AC 8167
AC 8200	8262	8186	8185	8252	8290	8265	8267
AC 8300	8362	8186	8185	8352	8390	8365	8367
AC 8400	8462	8486	8485	8452	8490	8465	8467
AC 8500	No. 8562	No. 8486	No. 8485	No. 8552	No. 8590	No. 8565	No. 8567
AC 8600	8662	8686	8685	8652	8690	8665	8667
AC 8700	8662	8686	8685	8752	8790	8765	8767

\* Whenever the restricted stopper is used, the Restrictor type Expander must be used. In that time, the maximum dia. of collet clamping range becomes about 70%.